

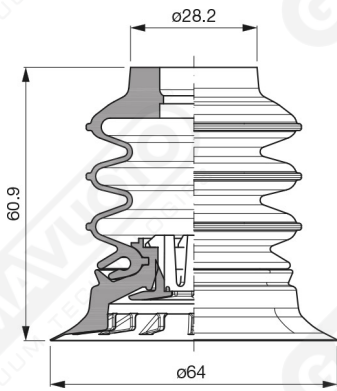
Bellows suction cups VES 64 series



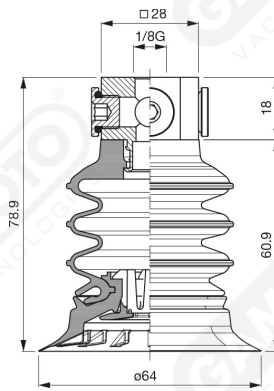
VES series suction cups are designed to be the best solution for the handling of plastic bags and other materials.

They consist of two separate parts assembled together. The soft silicone lip guarantees an excellent grip on the deformable surfaces, while the body, with bellows of higher hardness, guarantees excellent resistance to stress.

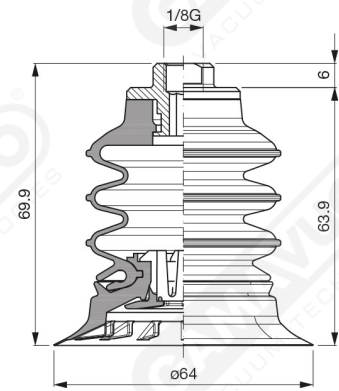
In the available supports, there is the possibility to integrate a stainless steel mesh filter and the self-pressure valve for vacuum flow control.



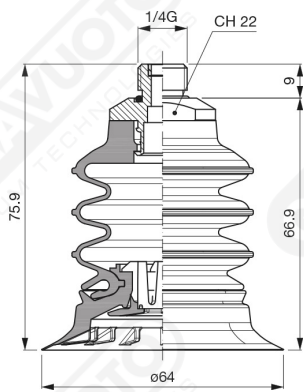
Art. VES 64 35



Art. VES 64 00



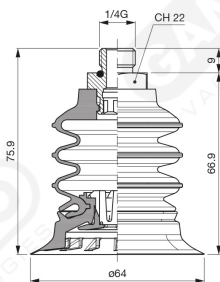
Art. VES 64 20



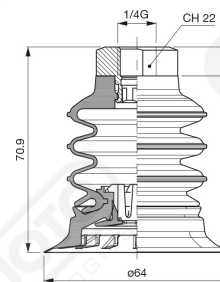
Art. VES 64 70 ÷ 73

Art. VES 64 70
with filter

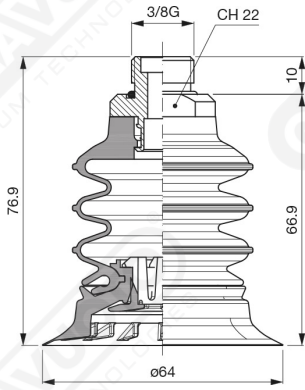
Art. VES 64 73
without filter



Art. VES 64 74



Art. VES 64 76



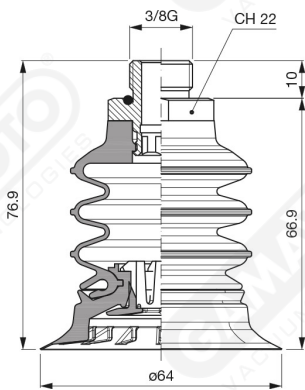
Art. VES 64 80

with filter

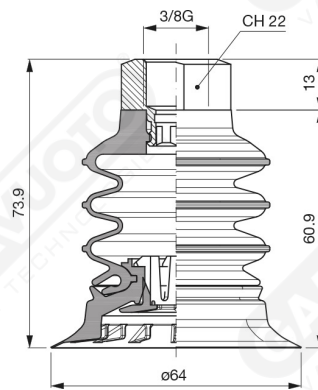
Art. VES 64 83

without filter

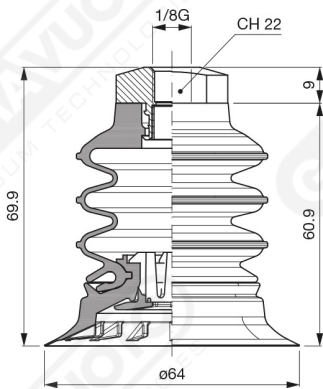
Art. VES 64 80 ÷ 83



Art. VES 64 84



Art. VES 64 86



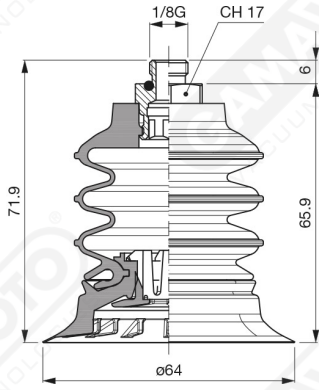
Art. VES 64 90

with filter

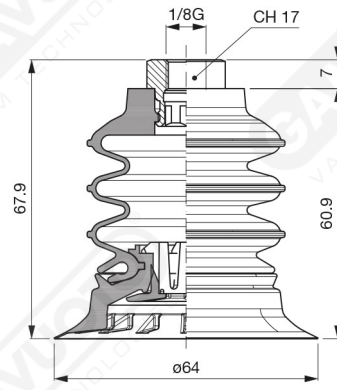
Art. VES 64 93

without filter

Art. VES 64 90 ÷ 93



Art. VES 64 94



Art. VES 64 96