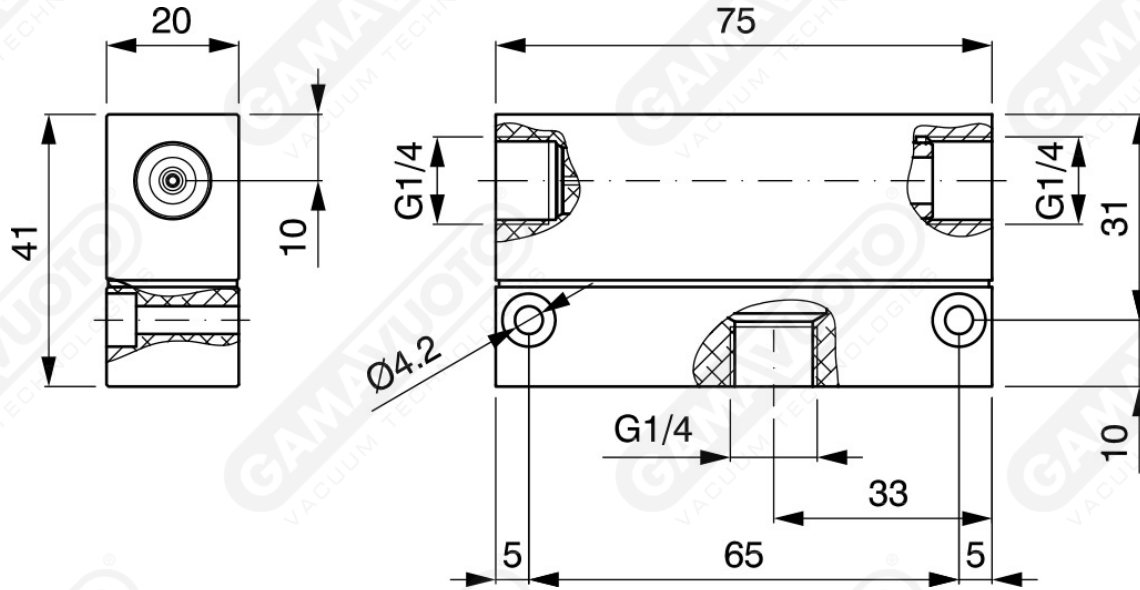


Double-stage cartridge vacuum generators mod. ECMD 60 ÷ 140



The new interchangeable cartridge vacuum generators with DOUBLE STAGE technology offer a high efficiency in terms of flow rate and vacuum level compared to a sensibly low consumption, increasing the low cost of use without forgoing performance. Thanks to their shape and small size they can be used both individually and in parallel configuration also on the application structure.



Art. ECMD 60 ÷ 140

Working pressure

Model	3 BAR			4 BAR			5 BAR			6 BAR			7 BAR			Maximum vacuum level in - kPa
	vacuum level in -kPa	vacuum flow NI/min	air consumption NI/min	vacuum level in -kPa	vacuum flow NI/min	air consumption NI/min	vacuum level in -kPa	vacuum flow NI/min	air consumption NI/min	vacuum level in -kPa	vacuum flow NI/min	air consumption NI/min	vacuum level in -kPa	vacuum flow NI/min	air consumption NI/min	
ECMD 60	73	45	23	89	52	28	87	55	33	85	58	39	83	67	45	89
ECMD 90	50	58	29	64	67	36	83	73	43	91	87	50	90	100	57	91
ECMD 100	47	68	29	63	82	36	75	92	43	84	100	50	90	105	57	90
ECMD 120	77	92	57	86	108	68	84	117	83	83	121	100	81	128	113	87
ECMD 130	60	100	57	86	108	68	87	117	83	86	125	96	85	130	113	88
ECMD 140	58	90	73	87	125	92	91	133	113	90	142	129	88	145	150	91